

AL-KO extraction system

AL-KO
Lufttechnik

Extraction Division

AAS 1000 – 6000 Stationary raw air

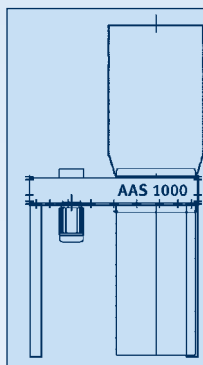
Points to convince customers of quality, performance and price.

- Suitable for universal use, even for plastic, metal, glass, polystyrene, paper and the like
- Particularly sturdy construction
- Casing made of galvanised sheet steel (powder-coated in light grey)
- Bucket wheel blower for increased extraction capacity
- Considerably reduced dust content by using a category G filter sack
- Standard units are assembled in sections
- Very short installation times for large systems
- Excellent value for money



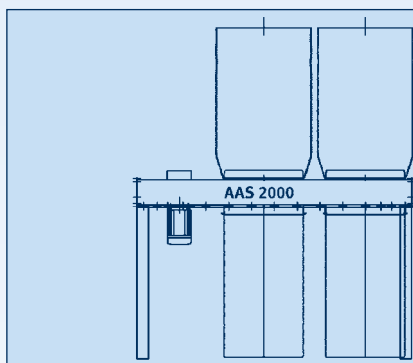
Delivery AAS 1000 – 6000

- System body with fitted blower unit
- Filter sack or sacks
- Chip sack or sacks
- Support feet
- Star-delta switch (AAS 5000-6000)



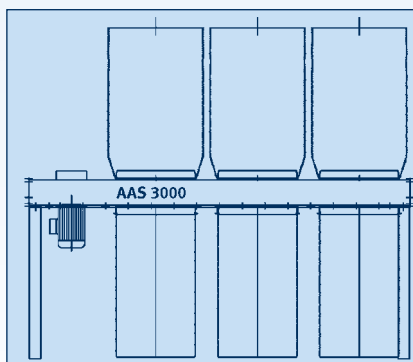
Model AAS 1000

Article No.	195 773
Technical data	
Rated capacity	1000 m ³ /h / 2300 Pa
Max. delivery rate	1800 m ³ /h
Max. vacuum	2700 Pa
Filter surface area/Filter category	2.2 m ² / Cat. G
Max. chip collection capacity	175 litres
Motor rating 50 Hz	2.2 kW / 400 V
Weight	55 kg
Dimensions LxWxH in mm	1140 x 570 x 2185
Extraction port diameter on unit	160 mm



Model AAS 2000

Article No.	195 774
Technical data	
Rated capacity	1500 m ³ /h / 2300 Pa
Max. delivery rate	2300 m ³ /h
Max. vacuum	2700 Pa
Filter surface area/Filter category	2 x 2.2 m ² / Cat. G
Max. chip collection capacity	2 x 175 litres
Motor rating 50 Hz	2.2 kW / 400 V
Weight	65 kg
Dimensions LxWxH in mm	1810 x 570 x 2185
Extraction port diameter on unit	160 mm



Model AAS 3000

Article No.	195 775
Technical data	
Rated capacity	2500 m ³ /h / 2300 Pa
Max. delivery rate	3300 m ³ /h
Max. vacuum	2900 Pa
Filter surface area/Filter category	3 x 2.2 m ² / Cat. G
Max. chip collection capacity	3 x 175 litres
Motor rating 50 Hz	3.0 kW / 400 V
Weight	100 kg
Dimensions LxWxH in mm	2480 x 570 x 2185
Extraction port diameter on unit	200 mm

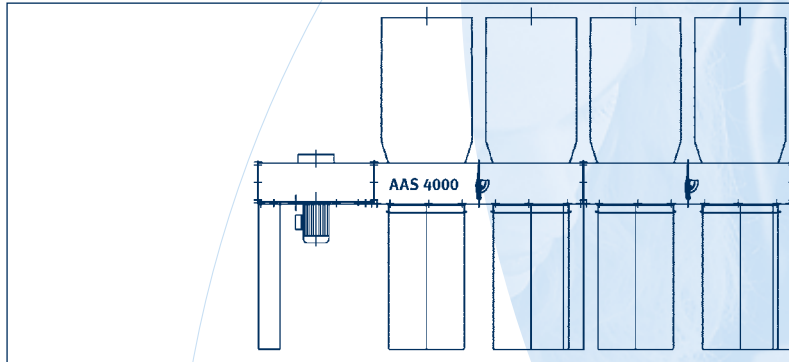
Movement device optional for the AAS1000-3000



AL-KO extraction system

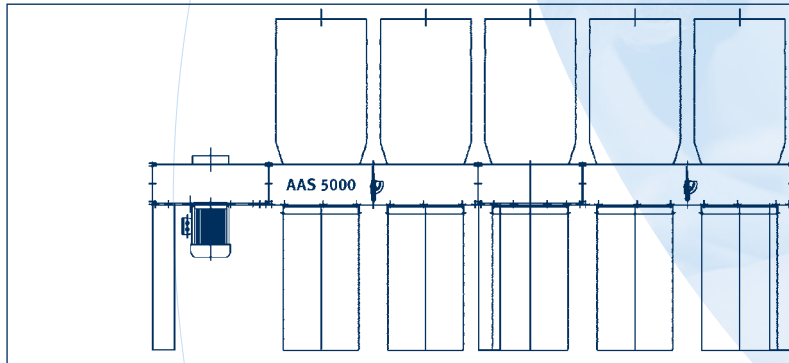
AAS 1000 - 6000

Stationary raw air



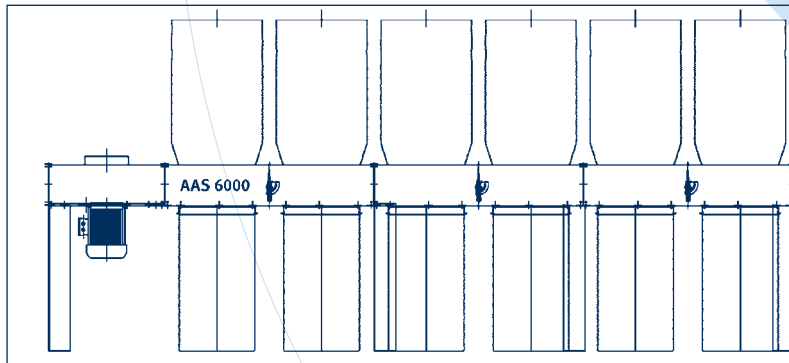
Model AAS 4000

Article No.	195 776
Technical data	
Rated capacity	3500 m ³ /h / 2300 Pa
Max. delivery rate	4300 m ³ /h
Max. vacuum	2900 Pa
Filter surface area/Filter category	4 x 3.0 m ² / Cat. G
Max. chip collection capacity	4 x 175 litres
Motor rating 50 Hz	4.0 kW / 400 V
Weight	200 kg
Dimensions LxWxH in mm	3220 x 780 x 2620
Extraction port diameter on unit	250 mm



Model AAS 5000

Article No.	195 777
Technical data	
Rated capacity	4500 m ³ /h / 2300 Pa
Max. delivery rate	5300 m ³ /h
Max. vacuum	2900 Pa
Filter surface area/Filter category	5 x 3.0 m ² / Cat. G
Max. chip collection capacity	5 x 175 litres
Motor rating 50 Hz	5.5 kW / 400 V
Weight	265 kg
Dimensions LxWxH in mm	3860 x 780 x 2620
Extraction port diameter on unit	250 mm



Model AAS 6000

Article No.	195 778
Technical data	
Rated capacity	5500 m ³ /h / 2300 Pa
Max. delivery rate	7300 m ³ /h
Max. vacuum	2900 Pa
Filter surface area/Filter category	6 x 3.0 m ² / Cat. G
Max. chip collection capacity	6 x 175 litres
Motor rating 50 Hz	7.5 kW / 400 V
Weight	290 kg
Dimensions LxWxH in mm	4500 x 780 x 2620
Extraction port diameter on unit	300 mm

AAS accessory	Article No.	EUR excl. VAT
Spare filter sacks for AAS 1000-3000	845 693	46.-
Spare filter sacks for AAS 4000-6000	848 493	64.-
Spare filter sacks for AAS 1000-6000	195 169	38.-
Movement device for AAS 1000	195 801	99.-
Movement device for AAS 2000	195 802	110.-
Movement device for AAS 3000	195 827	129.-
Wall mounting for AAS 1000/2000/3000	195 790	64.-
Y fittings 2x100 mm diameter for AAS 1000/2000	846 902	45.-
Y fittings 1x120 mm and 1x 80 mm diameter for AAS1000/2000	848 561	45.-
Y fittings 2x140 mm diameter for AAS 3000	848 562	52.-
Y fittings 1x160 mm and 1x120 mm diameter for AAS 3000	848 563	52.-
Filter cartridge AAS 1000-6000	195 194	210.-

Optional accessory

- Very fine dust filter cartridge with specially treated polyester fleece in compliance with 973010, BIA Category C
- Approved under category U/S/G/C
- Catches very fine particles
- High air throughput, large filter surface area
- High tear resistance and therefore longer service life
- Can be used in temperatures of up to 140°C
- Insensitive to moisture