



STRIEBIG 4D
CONTROL
EVOLUTION

STANDARD S
STANDARD
COMPACT

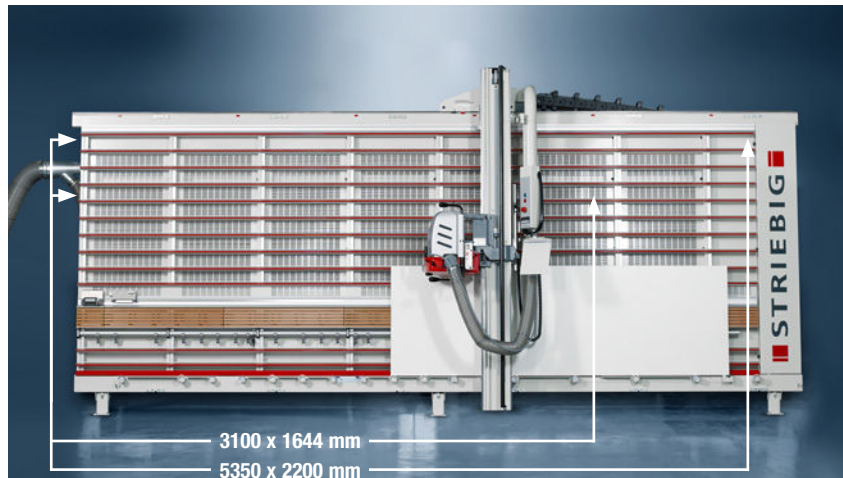
COMPACT

FLEXIBLE AND ECONOMICAL

Entry level to vertical sawing technology

COMPACT / COMPACT_{AV}

ENTRY LEVEL TO QUALITY AND PRECISION



Comprehensive sizing frame, large cutting range
The COMPACT covers a cutting range up from 3,100 x 1,644 mm (model 4164) to 5,350 x 2,200 mm (model 6220).

ENTRY LEVEL TO QUALITY AND PRECISION

Two versions for every need.

COMPACT or COMPACT_{AV}, manual sawing or with automatic feed – the choice is yours.

The COMPACT is flexible and economical in use. It is the entry-level class to the world of precision and quality of Striebig vertical panel saws.

THE „SIZING CUT“ PRINCIPLE

Ready-to-glue, perfect and precise dimensions.

The „sizing cut“ principle applies to every Striebig saw.

Ready-to-glue, perfect and precisely-fitting edges are our obligation. The holistic approach of all our business processes is the guarantee for accurate cuts with perfect edges.



The Swiss label symbolises quality, safety, reliability and common sense.

We put these values into practice and implemented them on a daily basis for your benefit.



Vertically structured - the facade of the corporate headquarters in Littau near Lucerne

ROBUSTNESS MEETS EXPERIENCE

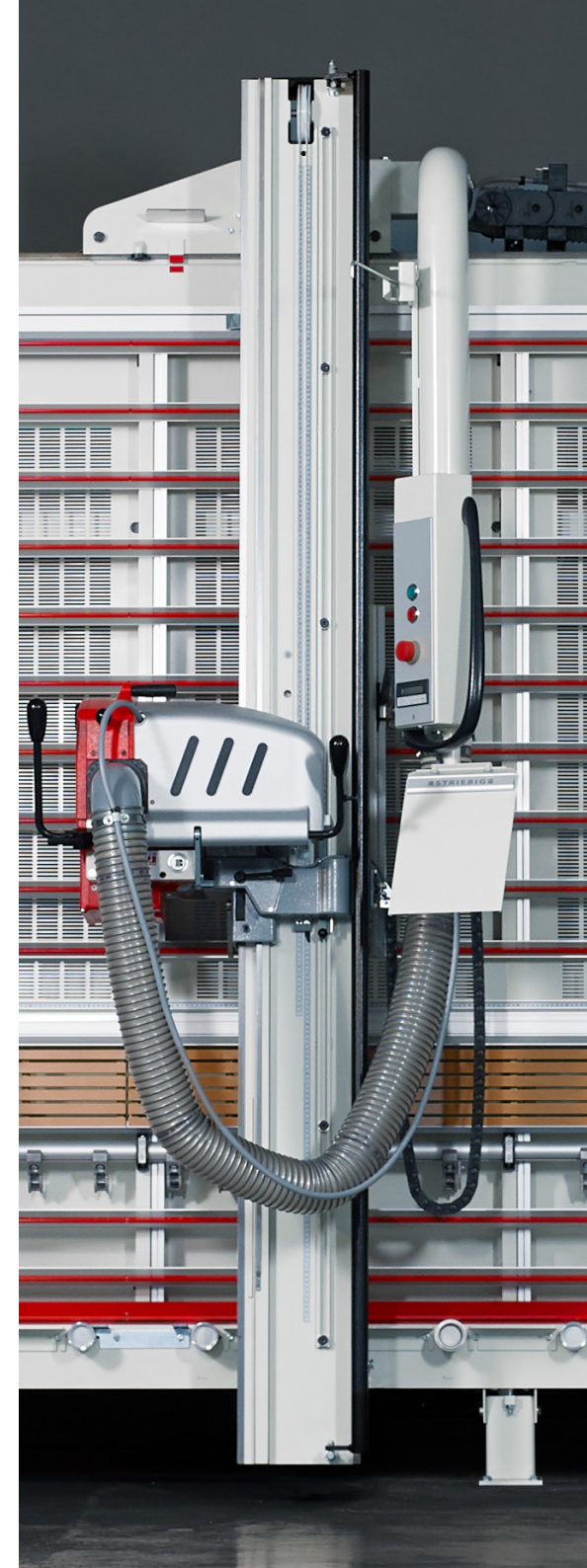
Know-how and passion brought together.

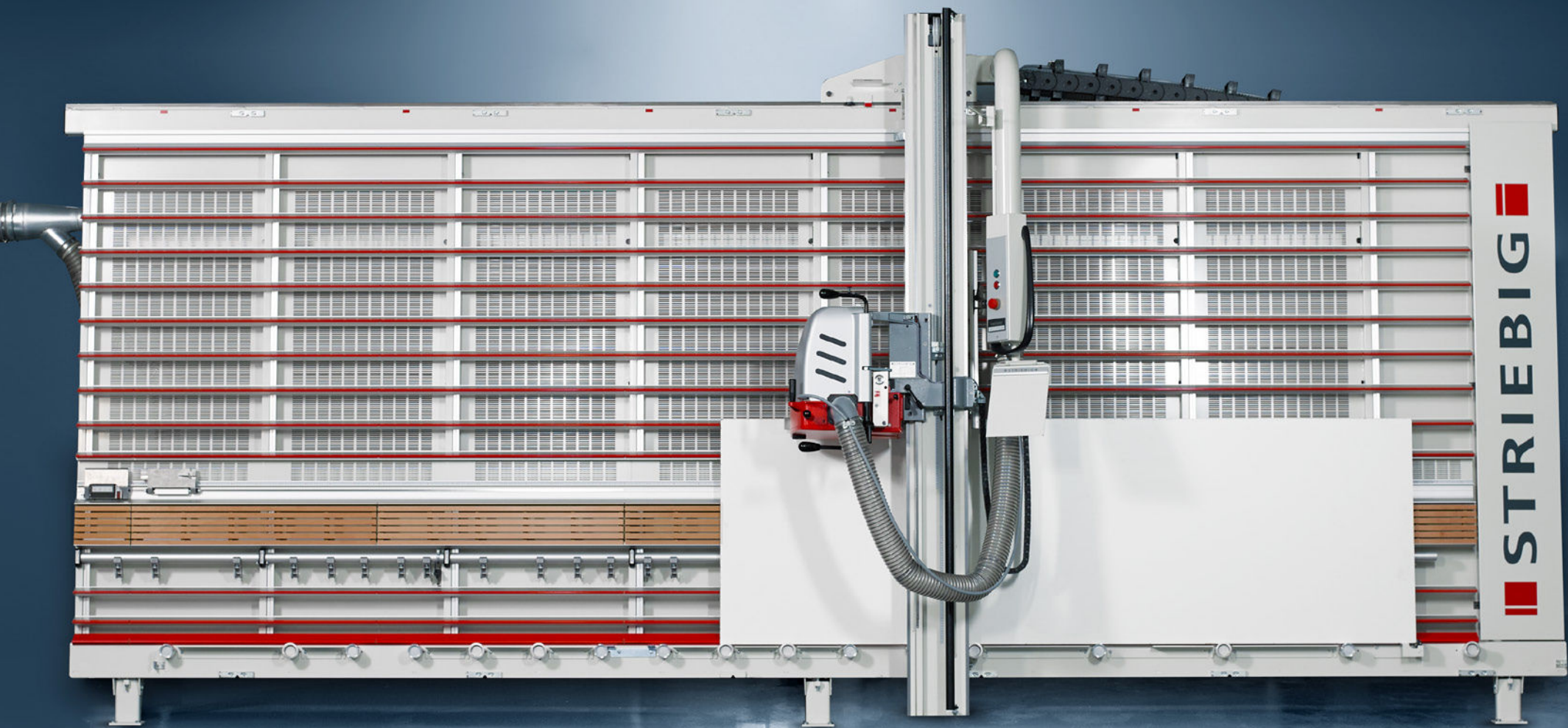
For more than 5 decades we have focussed on one single product category: vertical sawing technology. For us, it is both our ambition and our mission.

We create sustainable values for you – with passion and extensive knowledge of your requirements: the STRIEBIG, the synonym for vertical panel saws.

Please note that all machines depicted in this brochure feature additional equipment.

Our title picture: the Chapel Bridge in Lucerne. The Chapel bridge, the oldest wooden bridge in Europe, with its rich series of paintings and water tower is the undisputed landmark of our city.





COMPACT

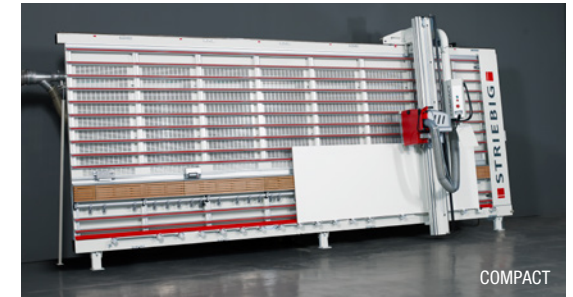
COMPACT / COMPACT_{AV}

SAW FRAME

SAW BEAM

SAW UNIT

Flexible and economical in use. The COMPACT and COMPACT_{AV} are the entry-level class to the world of precision and quality of Striebig vertical panel saws.



COMPACT



COMPACT_{AV}

THE SAW BEAM

Guarantees angular accuracy and robustness.

The saw beam's steel construction is particularly stable and durable. Its twin interlocking feature provides perfect angular accuracy. It ensures that the cutting precision of the COMPACT is retained for many, many saw cuts.

The optional strip cutting gauge facilitates repeat cuts.

THE SAW UNIT

Robust mounting, powerful drive.

The motor: high-performance and powerful, 3.9 kW (5.3 hp).

The guide: zero-play and free-moving. In conjunction with the robust mounting of the motor carriage, it ensures effort-free and precise operation. 60 mm cutting depth as standard.

THE SAW FRAME

Precision thanks to stability.

Self-supporting, welded and rigid, the saw frame is the heart of every Striebig panel saw.

The upper guide rail, central support and roller support are 100% parallel to each other. This ensures long-term cutting precision and an excellent degree of protection for your investment.

FUNCTION AND BENEFIT - IN EVERY DETAIL



SUPPORT ROLLERS

Roller support with up to 17 rollers.

COMPACT_{AV} – pneumatically braked support rollers as standard.

COMPACT – mechanically braked support rollers optional.

A CLEAR AND CLEAN SOLUTION

Energy chain ensures durability.

The energy chain separates hose guide from power cable and also accommodates larger quantities of cable quite easily. There is very little stress on the parts. This detail adds to the particular durability



AUTOMATIC FEED

Automatic feed sawing.

Effortless work for the operator without strenuous saw unit moving – facilitated by the COMPACT_{AV}.



**Four different feed speeds
(10/14/18/25 m/min) are available.**

A separate motor ensures the automatic feed in horizontal and vertical direction.



INTEGRATED TRK DUST EXTRACTION SYSTEM

Dust limit values well below 2 mg/m³.

The majority of the accumulating chips is already extracted via the saw unit thanks to an optimised air flow and a small casing. Dust accumulating with horizontal cuts is extracted via the outer right saw frame.

EVEN MORE COMPACT

OPTIONS AND RANGE OF ACCESSORIES



WSG ANGLE CUTTING UNIT

Cutting mitres with precision.

The WSG angle cutting unit is used on the left and right next to any vertical cutting point. It is quick and easy to fit. Applications: Panels up to 42 mm thick, exact angles and mitres of 0° to 46°.



Adjustable grooving tool with reversible carbide tips

GROOVING AND ROUTING

Expand your range.

With many orders, grooving or routing work is essential. They can be carried out without difficulty on a COMPACT. Groove or route wood materials and composite panels.

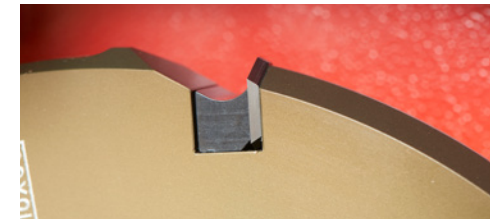
VSA SCORING SAW UNIT

Saves time, money and tools.

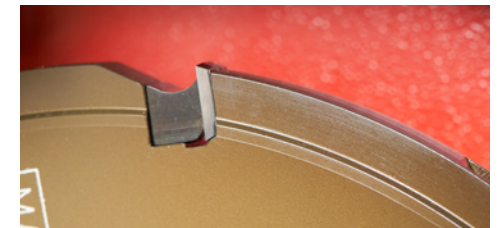
The VSA is a must for larger quantities, a potentially low-quality panel or coated panel material.



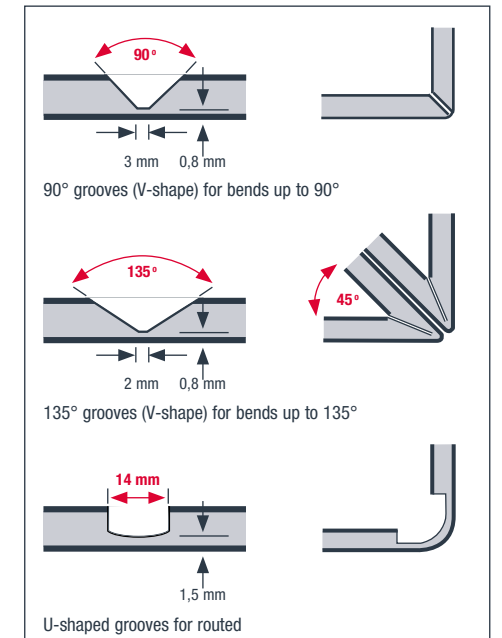
90° grooves (V-shape) for bends up to 90°



135° grooves (V-shape) for bends up to 135°



U-shaped grooves for routed



DMS-X - DIGITAL MEASURING SYSTEM X-AXIS

Always the right dimension. DMS digital measuring system for the x-axis. Freely adjustable display accuracy of between 1.0/0.5 and 0.1 mm.



DMS-Y - DIGITAL MEASURING SYSTEM Y-AXIS

The right dimension for the vertical (Y) axis - easy and comfortable fine adjustment at the touch of a button



PAPER HOLDER

Documents always within reach.

Keeps the work documents available right beside the control box.

CENTRAL SUPPORT PLASTIC FRAME

More protection for sensitive edges.

“High-end” frames made of fibre-reinforced plastics offer special protection for sensitive edge materials and for postforming edges

WIDEN THE POSSIBLE USES AND APPLICATIONS OF YOUR COMPACT

- coring saw unit VSA
- Digital measuring system DMS-X
- Digital measuring system DMS-Y
- Angle cutting unit WSG
- Strip cutting gauge 400 mm / 600 mm
- Additional workpiece locking system
- Small workpiece support, aluminium (1 pair)
- Central support: high-end frame made from synthetic materials
- Grooving accessory for composite panels
- Profile cutter with reversible carbide tips: U-shape, 135°, 90°
- Depth stop for the adjustable grooving tool
- Reversible carbide tips for adjustable grooving tools
- Mechanically braked support rollers (COMPACT only)
- Paper holder
- Special voltage
- Tropical insulation



STRIP CUTTING GAUGE

For problem-free strip cutting

Strip cutting gauge in lengths of 400 and 600 mm with roller support prevents stripping of edges.



MECHANICALLY BRAKED SUPPORT ROLLERS

COMPACT – mechanically braked support rollers optional
COMPACT_{AV} – pneumatically braked support rollers as standard.

TECHNICAL SPECIFICATIONS

COMPACT / COMPACT_{AV}



Compact

COMPACT / COMPACT_{AV}

Weight of the saw	approx. 910 kg / approx. 990 kg	Saw blade speed	5,250 rpm
Cutting depth	60 mm	2 Absaugstutzen *2	Ø 100 mm
Saw motor rating	3.9 kW	Druckluftanschluss	6-8 bar COMPACT _{AV}
Saw blade diameter	250 mm	Anschlusswert	4.8 kW
Saw blade bore	30 mm *1	Netzanschluss	3 x 400 V / 50 Hz
Emission sound pressure level at the workplace L _{PA}			82 dB *3

Striebig AG

Grossmatte 26
CH-6014 Luzern

Tel. +41 (0) 41 259 53 53
Fax +41 (0) 41 259 53 50

www.striebig.com
info@striebig.com

WWW.STRIEBIG.COM



The SWISS LABEL emphasises the origin and quality awareness of goods and services of Swiss origin.

STRIEBIG AG is entitled to the use of this trademark.

COMPACT

Type	Dimensions in mm				Cutting range in mm		
	L	H	D1 free	D2 wall	L	H vert	H hor
6220	6506	2980	1466	1441	5350	2200	2100
6207	6506	2838	1428	1428	5350	2070	1958
6164	6506	2400	1391	1391	5350	1644	1532
5220	5826	2980	1466	1441	4600	2200	2100
5207	5826	2838	1428	1428	4600	2070	1958
5164	5826	2400	1391	1391	4600	1644	1532
4220	4256	2980	1466	1441	3100	2200	2100
4207	4256	2838	1428	1428	3100	2070	1958
4164	4256	2400	1391	1391	3100	1644	1532

COMPACT_{AV}

Type	Dimensions in mm				Cutting range in mm		
	L	H	D1 free	D2 wall	L	H vert	H hor
6220	6864	2980	1486	1461	5350	2200	2100
6207	6864	2838	1448	1448	5350	2070	1958
6164	6864	2400	1411	1411	5350	1644	1532
5220	6114	2980	1486	1461	4600	2200	2100
5207	6114	2838	1448	1448	4600	2070	1958
5164	6114	2400	1411	1411	4600	1644	1532
4220	4614	2980	1486	1461	3100	2200	2100
4207	4614	2838	1448	1448	3100	2070	1958
4164	4614	2400	1411	1411	3100	1644	1532

D1* for free-standing installation · D2* for wall-mounted assembly · *1 with 2 side holes Ø 7 mm, radius 21mm · *2 main extraction on the left or right, extraction wall on the right (fixed) · *3 Measurement standards and emission values in accordance with EN 1870-14, measurement uncertainty allowance K = 4 dB(A)

EXCEPTIONALLY EFFICIENT INTEGRAL TRK DUST EXTRACTION SYSTEM**. DUST LIMIT VALUE WELL BELOW 2MG/M³

**TRK is the abbreviation for „Technische Richt-Konzentration“ (Technical target concentration). These values have been applicable since July 1988 and specify the maximum permissible wood dust concentration at the workplace. The TRK value is 2 mg/m³ total dust based on a working average (shift) of 8 hours. Connection to an external dust extraction system is required. The system used must have an extraction performance of 20 m/sec. (vacuum approx. 1,470 Pa.) at the connector in order to meet the TRK specifications.

All technical specifications are approximate values. We reserve the right to amend specifications in accordance with further development. 09/17 EB EN

www.facebook.com/striebig.ag